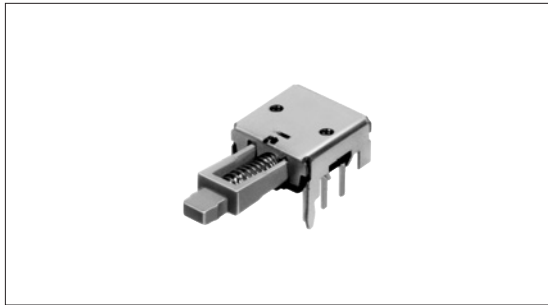


Push Switch 1.5mm-travel Low-profile Horizontal Type

SPPJ6 Series



4.5mm height low-profile switch, ideal for compact devices.



Features

- Thin, horizontal type suitable for small equipment.

Applications

- For mode switching in flat panel TVs, set top boxes, notebook PCs, electronic instruments, measuring devices and various low-profile devices

Typical Specifications

Items		Specifications
Rating (max.) / (min.) (Resistive load)		0.2A 12V DC/50 μ A 3V DC
Contact resistance (Initial performance / After lifetime)		20m Ω max./40m Ω max.
Operating force		2 \pm 1N
Operating life	Without load	10,000cycles
	With load	10,000cycles (0.2A 12V DC)

Product Line

Changeover timing	Travel (mm)	Total travel (mm)	Rating	Mounting method	Poles	Operation	Terminal style	Minimum packing unit (pcs.)	Product No.
Non shorting	1.5	2.5	—	PC board	2	Latching	For PC board	100	SPPJ620800
						Momentary			SPPJ621100

Note

Products other than those listed in the above chart are also available. Please contact us for details.

Detector

Push

Slide

Rotary

Encoders

Power

Dual-in-line
Package Type

Multi Control
Devices

TACT Switch™

Custom-
Products

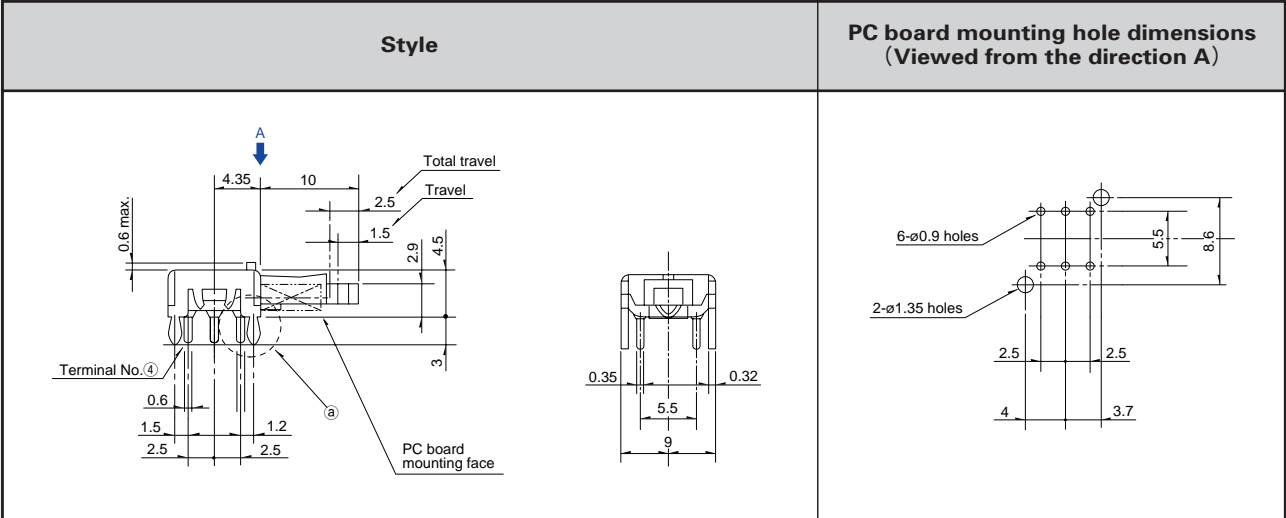
Horizontal
Type

Vertical
Type

- Detector
- Push**
- Slide
- Rotary
- Encoders
- Power
- Dual-in-line Package Type
- Multi Control Devices
- TACT Switch™
- Custom-Products
- Horizontal Type
- Vertical Type

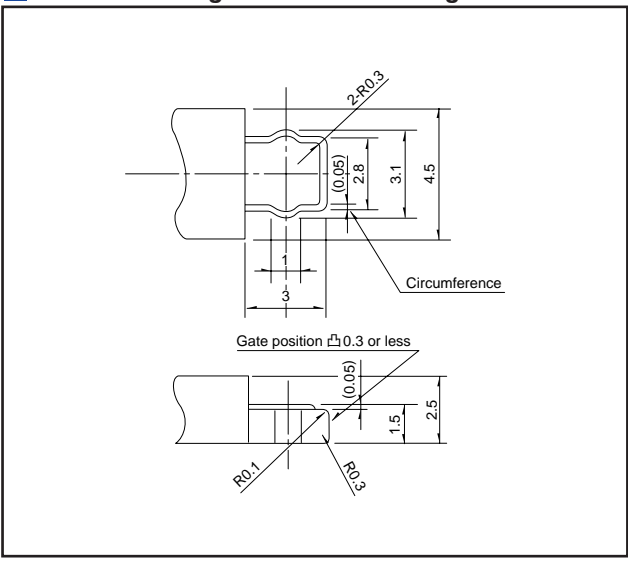
Dimensions

Unit:mm



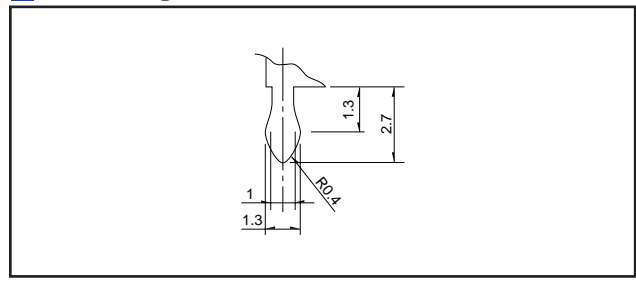
Actuator configuration at front edge

Unit:mm

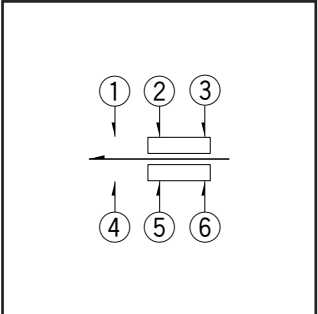


Detail of a

Unit:mm



Circuit Diagram (Viewed from the Direction A)



Product Specifications

Series		SPEE	SPPJ6	SPPJ2	SPPJ3	SPUJ SPUP ※1	SPUN ※1	SPUN (medium current) ※1	SPPH2	SPPH4	SPPH1	SPEA	SPEC	SPED2	SPED3	SPED4	SPED5	SPEF	
Item	Operating temperature range	-10°C to +60°C		-40°C to +85°C		-10°C to +60°C					-40°C to +85°C	-10°C to +60°C	-40°C to +85°C						
	Rating (max.) (Resistive load)	5V 20mA	0.2A 12V DC	0.2A 30V DC		0.1A 30V DC		1A 25V DC	0.1A 12V DC	0.1A 30V DC			1A 14.5V DC						
Electrical performance	Initial contact resistance	※2	20mΩ max.					30mΩ max.	100mΩ max.	20mΩ max.	30mΩ max.		100mΩ max.						
	Insulation resistance	10mΩ min. 100V DC	100MΩ min. 500V DC															3MΩ min. 500V DC	3MΩ min. 100V DC
	Voltage proof	100V AC for 1minute	500V AC for 1minute											100V AC for 1minute		100V AC for 1minute			
Mechanical performance	Terminal strength	5N for 1minute									3N for 1minute		—						
	Actuator strength	Operating direction	50N	30N	50N		30N		50N					90N					
		Pulling direction	—			24.6350N		—	10N	—	50N		—			30N			
	Vibration	10 to 55 to 10Hz/min., the amplitude is 1.5mm for all the frequencies, in the 3 direction of X, Y and Z for 2 hours respectively																	
	Resistance to soldering heat	Manual soldering	350±10°C 4±0s	350±10°C 3 ⁺¹ ±1s		300±10°C 3 ⁺¹ ±1s	350±10°C 3 ⁺¹ ±1s		350°C max. 3s max.	350±10°C 3 ⁺¹ ±1s			350±10°C 3±0.5s	—	350±10°C 3±0.5s	—	350±5°C 3s max.		
Dip soldering		—	260±5°C 5±1s	260±5°C 10±1s	260±5°C 5±1s	260±5°C 10±1s		260±5°C 5±1s	260±5°C 10±1s	260±5°C 5±1s	260°C max. 5s max.	260±5°C 10±1s	—	260±5°C 10±1s	—	260±5°C 10±1s			
Reflow	Please see P.107																		
Durability	Operating life without load	100,000 cycles	10,000 cycles 40mΩ max.			30,000cycles 40mΩ max.	10,000cycles 40mΩ max.	10,000cycles 50mΩ max.	10,000cycles 100mΩ max.	10,000cycles 40mΩ max.	10,000cycles 50mΩ max.	30,000cycles 100Ω max.							
	Operating life with load Load : As rating	100,000 cycles	10,000 cycles 40mΩ max.			5,000 cycles 40mΩ max.	10,000 cycles 50mΩ max.	10,000 cycles 100mΩ max.	10,000 cycles 40mΩ max.	10,000 cycles 50mΩ max.		30,000cycles 100mΩ max.							
Environmental performance	Cold	-40±2°C for 96h	-20±2°C for 96h										-40±2°C for 96h						
	Dry heat	85±2°C for 96h																	
	Damp heat	40±2°C, 90 to 95%RH for 96h																	

Notes

- ※1. The operating temperature range for automotive applications can be raised upon request. Please contact us for requirements of this kind.
- ※2. 1V or less, at the present rating of 1mA, 5V DC for output voltage.

Detector

Push

Slide

Rotary

Encoders

Power

Dual-in-line
Package Type

Multi Control
Devices

TACT Switch™

Custom-
Products

Horizontal
Type

Vertical
Type