

Encoder With Knob Type

SRRQ Series



Highly reliable gold-contact type for program code setting.

Detector

Push

Slide

Rotary

Encoders

Power

Dual-in-line
Package Type

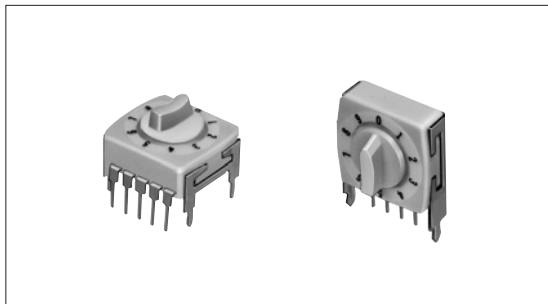
Multi Control
Devices

TACT Switch™

Custom-
Products

Incremental
Type

**Absolute
Type**



Features

- Compact encoder for program coding in various digital circuits.

Applications

- For configuring program codes in peripheral antenna devices and home appliances

Typical Specifications

Items		Specifications
Rating (max.) / (min.) (Resistive load)		0.1A 6V DC/50 μ A 3V DC
Contact resistance (Initial/After operating life)		1 Ω max./1.5 Ω max.
Operating life	Without load	10,000cycles
	With load	10,000cycles (0.1A 6V DC)

Product Line

Actuator length (mm)	Torque (mN·m)	Operating direction	Output code	Positions	Changeover angle	Minimum packing unit (pcs.)	Product No.	Drawing No.
4	5 to 25	Vertical	Binary (Positive)	10	36°	100	SRRQVA0200	1
				16	22° 30'		SRRQVG0100	
		Horizontal		10	36°		SRRQHA0300	2
				16	22° 30'		SRRQHG0200	

Note

Products other than those listed in the above chart are also available. Please contact us for details.

Refer to P.234 for product specifications.

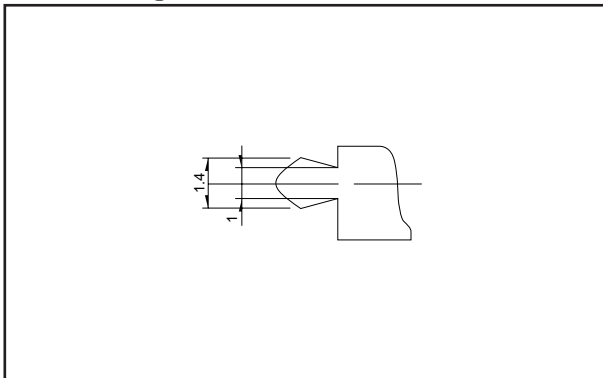
Dimensions

Unit:mm

No.	Style	PC board mounting hole dimensions (Viewed from the direction A)
1	Vertical type with knob 	
2	Horizontal type with knob 	

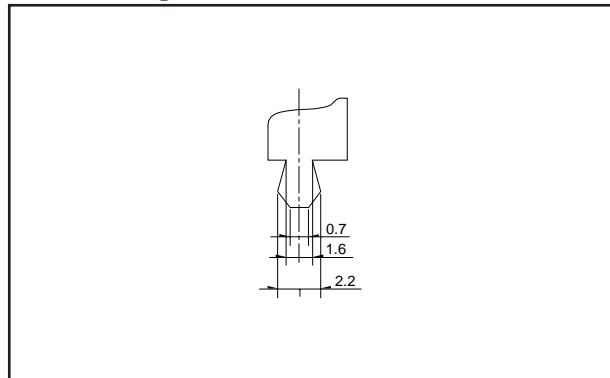
Detail of ①

Unit:mm

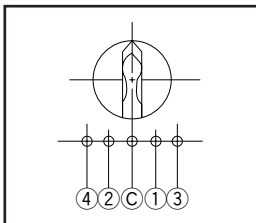


Detail of ②

Unit:mm



Standard Codes (Viewed from direction A)



Code	Terminal	Number of positions										16					
		Position	0	1	2	3	4	5	6	7	8	9	10	11	12	13	14
Binary (Positive)	1		●		●		●		●		●		●		●		●
	2			●	●			●	●			●	●			●	●
	3					●	●	●	●					●	●	●	●
	4									●	●	●	●	●	●	●	●

The ● marks shows the ON position.

Detector

Push

Slide

Rotary

Encoders

Power

Dual-in-line
Package Type

Multi Control
Devices

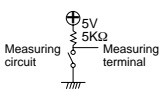
TACT Switch™

**Custom-
Products**

Incremental
Type

**Absolute
Type**

Product Specifications

Items		Series		SRRO	SRGH	SRGA ※	SRGPHJ	
Detector	Operating temperature range		-10°C to +60°C	-40°C to +85°C	-10°C to +60°C			
Push	Rating (max.) (Resistive load)		0.1A 6V DC	0.1A 12V DC		10mA 5V DC		
Slide	Initial contact resistance		1Ω max.			—		
Rotary	Electrical performance	Output voltage	Shuttle part	—			4V min. at 1mA 5V DC (resistive load) 	
Encoders			Jog part	—				
Power		Insulation resistance		100MΩ min. 100V DC				
Dual-in-line Package Type		Voltage proof		100V AC for 1minute				
Multi Control Devices		Rotational torque		Shall be in accordance with individual specifications.				
TACT Switch™	Terminal strength		5N for 1minute					
Custom-Products	Mechanical performance	Actuator strength	Rotational direction	—			0.6N·m	
Incremental Type			Push direction	5N	100N			
Absolute Type		Vibration		10 to 55 to 10Hz/min., the amplitude is 1.5mm for all the frequencies, in the 3 direction of X, Y and Z for 2 hours respectively				
		Resistance to soldering heat	Manual soldering	300±10°C, 3 ⁺¹ ₀ s	350±10°C, 3 ⁺¹ ₀ s		300±10°C, 3 ⁺¹ ₀ s	
			Dip soldering	260±5°C, 10±1s			260±5°C, 5±1s	
			Reflow soldering	—		Please see P.235		—
	Durability	Operating life without load		10,000cycles		Shuttle part:50,000cycles Jog part:100,000cycles		
		Operating life with load Load : As rating		10,000cycles		Shuttle part:50,000cycles Jog part:100,000cycles		
	Environmental performance	Cold		-20±2°C for 96h				
		Dry heat		85±2°C for 96h				
		Damp heat		40±2°C, 90 to 95%RH for 96h				

Notes

1. Shall be in accordance with individual specifications.
2. ※The operating temperature range for in-vehicle applications can be raised upon request. Please contact us for requirements of this kind.