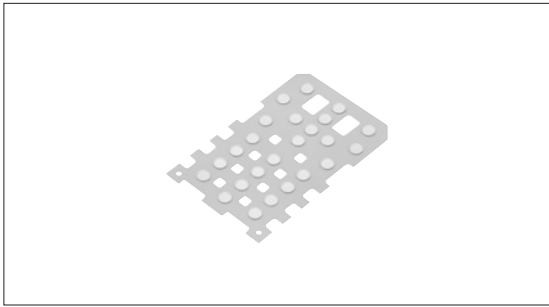


Highly reliable contact from 3-dimple dome metal contact.



Features

- AIR-PASS structure with matrix adhesive.
- High reliability of contact by 3 dimples.
- Contact stability and long-life by Ag-plated SUS metal contact.
- Available in a variety of $\phi 3 \sim \phi 6$ metal contacts.
- Supplied in reels and/or single pieces.

Applications

- For mobile phones, personal digital assistants and portable audio equipment

Detector

Push

Slide

Rotary

Encoders

Power

Dual-in-line
 Package Type

Multi Control
 Devices

TACT Switch™

Custom-
 Products

Product Line

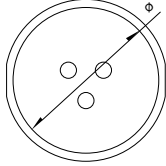
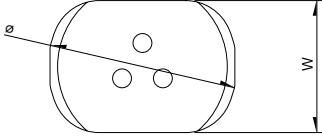
Specification	Varieties						
SIZE	$\phi 3$	$\phi 4$	$\phi 5$	$\phi 6$	$\phi 4 \times 2.8$ sidecut	$\phi 5 \times 3.5$ sidecut	$\phi 6 \times 4$ sidecut
Operating Force	1.6N	1.3N, 1.6N 2.0N	1.3N, 1.6N	1.6N, 3.0N	1.6N, 1.8N 2.0N	1.6N, 1.8N	1.0N
Travel	0.12 ± 0.1 mm	0.15 ± 0.1 mm	0.20 ± 0.1 mm	0.26 ± 0.1 mm	0.20 ± 0.1 mm	0.25 ± 0.1 mm	0.24 ± 0.1 mm
Height	0.24 ± 0.1 mm	0.27 ± 0.1 mm	0.32 ± 0.1 mm	0.38 ± 0.1 mm	0.32 ± 0.1 mm	0.37 ± 0.1 mm	0.36 ± 0.1 mm

*Endurance specification :
 Operating life 1,000,000 cycles
 Operating temperature range -20 to $+70^\circ\text{C}$
 Storage temperature range -40 to $+85^\circ\text{C}$

- Detector
- Push
- Slide
- Rotary
- Encoders
- Power
- Dual-in-line Package Type
- Multi Control Devices
- TACT Switch™
- Custom-Products**

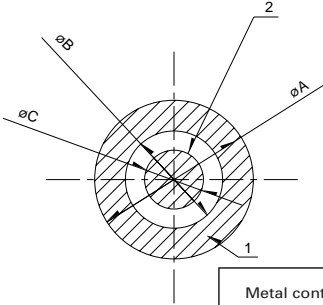
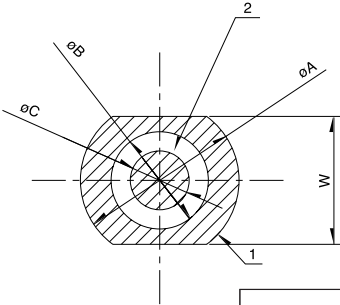
Dimensions

Unit:mm

Style														
Metal contact														
		<table border="1" style="border-collapse: collapse; text-align: center;"> <thead> <tr> <th></th> <th>ϕ</th> <th>W</th> </tr> </thead> <tbody> <tr> <td>$\phi 4$ Side cut</td> <td>4</td> <td>2.8</td> </tr> <tr> <td>$\phi 5$ Side cut</td> <td>5</td> <td>3.5</td> </tr> <tr> <td>$\phi 6$ Side cut</td> <td>6</td> <td>4</td> </tr> </tbody> </table>		ϕ	W	$\phi 4$ Side cut	4	2.8	$\phi 5$ Side cut	5	3.5	$\phi 6$ Side cut	6	4
	ϕ	W												
$\phi 4$ Side cut	4	2.8												
$\phi 5$ Side cut	5	3.5												
$\phi 6$ Side cut	6	4												

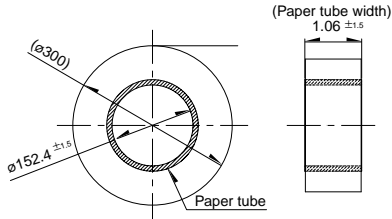
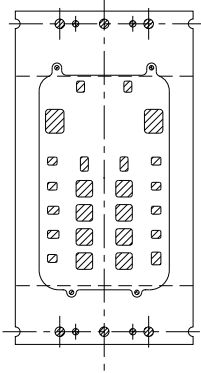
Recommend Pattern

Unit:mm

 <table border="1" style="margin-left: auto; margin-right: auto; border-collapse: collapse; text-align: center;"> <thead> <tr> <th rowspan="2">Metal contact size</th> <th colspan="3">Dimensions</th> </tr> <tr> <th>ϕA</th> <th>ϕB</th> <th>ϕC</th> </tr> </thead> <tbody> <tr> <td>$\phi 3$</td> <td>3.6</td> <td>2</td> <td>1.6</td> </tr> <tr> <td>$\phi 4$</td> <td>5.2</td> <td>2.8</td> <td>2.1</td> </tr> <tr> <td>$\phi 5$</td> <td>6.2</td> <td>3.8</td> <td>2.3</td> </tr> <tr> <td>$\phi 6$</td> <td>7.1</td> <td>4.8</td> <td>3.8</td> </tr> </tbody> </table>	Metal contact size	Dimensions			ϕA	ϕB	ϕC	$\phi 3$	3.6	2	1.6	$\phi 4$	5.2	2.8	2.1	$\phi 5$	6.2	3.8	2.3	$\phi 6$	7.1	4.8	3.8	 <table border="1" style="margin-left: auto; margin-right: auto; border-collapse: collapse; text-align: center;"> <thead> <tr> <th rowspan="2">Metal contact size</th> <th colspan="4">Dimensions</th> </tr> <tr> <th>ϕA</th> <th>ϕB</th> <th>ϕC</th> <th>W</th> </tr> </thead> <tbody> <tr> <td>$\phi 4$ Side cut</td> <td>5.2</td> <td>2.8</td> <td>2.1</td> <td>4.2</td> </tr> <tr> <td>$\phi 5$ Side cut</td> <td>6.2</td> <td>3.8</td> <td>2.3</td> <td>5</td> </tr> <tr> <td>$\phi 6$ Side cut</td> <td>7.1</td> <td>4.8</td> <td>3.8</td> <td>5.5</td> </tr> </tbody> </table>	Metal contact size	Dimensions				ϕA	ϕB	ϕC	W	$\phi 4$ Side cut	5.2	2.8	2.1	4.2	$\phi 5$ Side cut	6.2	3.8	2.3	5	$\phi 6$ Side cut	7.1	4.8	3.8	5.5
Metal contact size		Dimensions																																														
	ϕA	ϕB	ϕC																																													
$\phi 3$	3.6	2	1.6																																													
$\phi 4$	5.2	2.8	2.1																																													
$\phi 5$	6.2	3.8	2.3																																													
$\phi 6$	7.1	4.8	3.8																																													
Metal contact size	Dimensions																																															
	ϕA	ϕB	ϕC	W																																												
$\phi 4$ Side cut	5.2	2.8	2.1	4.2																																												
$\phi 5$ Side cut	6.2	3.8	2.3	5																																												
$\phi 6$ Side cut	7.1	4.8	3.8	5.5																																												

Package Specification

Unit:mm

Reel	Single pieces
	

Note

Above are specifications in general. This product is custom designed for each customer. Therefore specifications will be discussed independently.