

Connector for Memory Stick Micro™

SCNA Series



Minimum mounting area for compact devices.

For SD Memory Card

For miniSD™ Card

For microSD™ Card

For W-SIM



For Memory Stick Micro™

For Memory Stick™

Features

- Minimized mounting area prevents negation of size advantage of the card.

Applications

- For mobile phones, personal digital assistants, digital still cameras, compact audio equipment

Combine Type

For Compact Flash™

For PC cards supporting CardBus

For Express Card™

For CMOS Camera Module

Typical Specifications

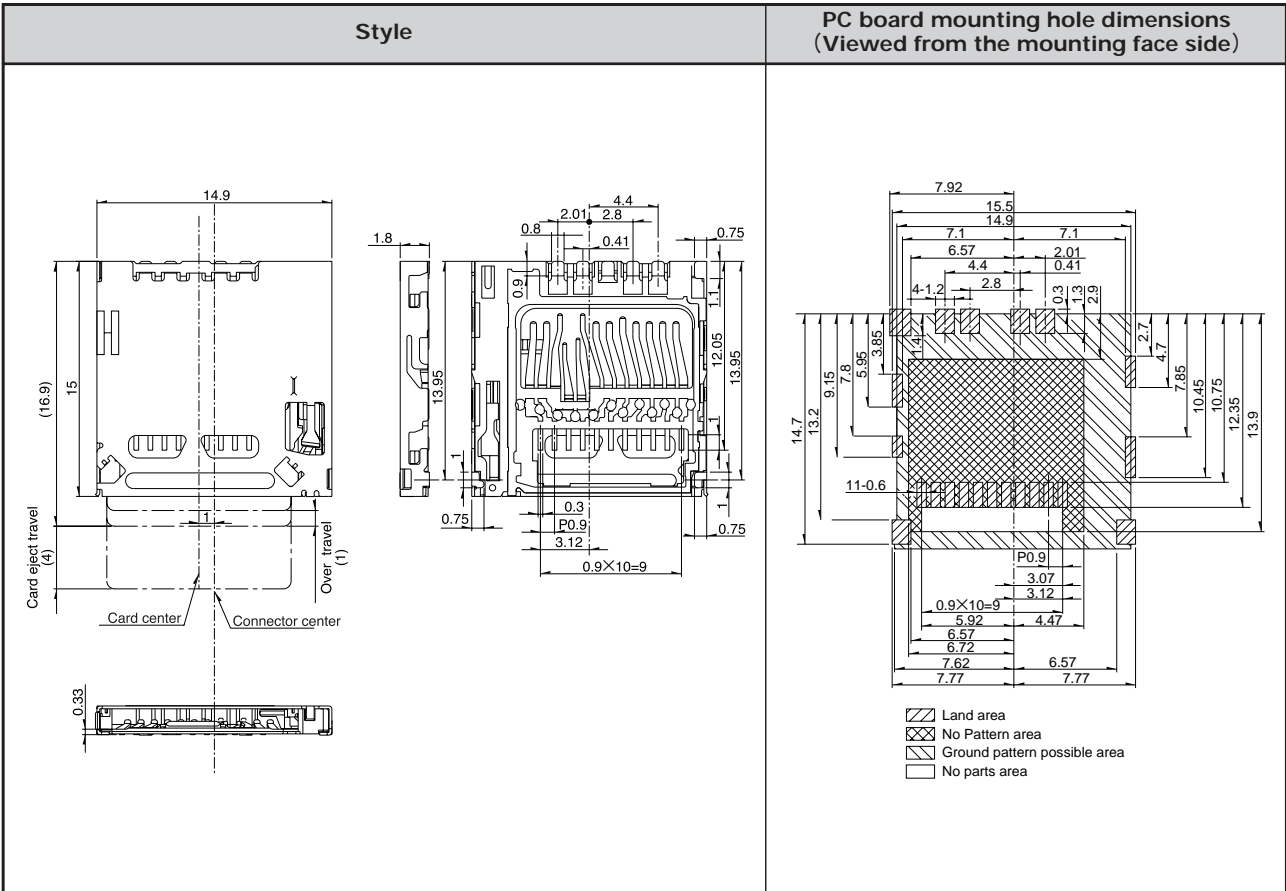
Items		Specifications
Structure	Applicable media	Memory Stick Micro™
	Mounting type	Surface mounting type
	Mounting style	Standard mount
	Media ejection structure	Push-push type
Performance	Operating temperature range	-25°C to +60°C
	Voltage proof	250V AC 1minute
	Insulation resistance (Initial)	1,000MΩ min.
	Contact resistance (Initial)	40mΩ max.
	Insertion and removal cycle	12,000cycles

Product Line

Media ejection structure	Mounting system	Stand-off (mm)	Packing system	Product No.
Push-push type	Standard mount	0	Taping	SCNA1A0300

Dimensions
Standard mount

Unit:mm



For SD Memory Card

For miniSD™ Card

For microSD™ Card

For W-SIM

For Memory Stick Micro™

For Memory Stick™

Combine Type

For Compact Flash™

For PC cards supporting CardBus

For Express Card™

For CMOS Camera Module

